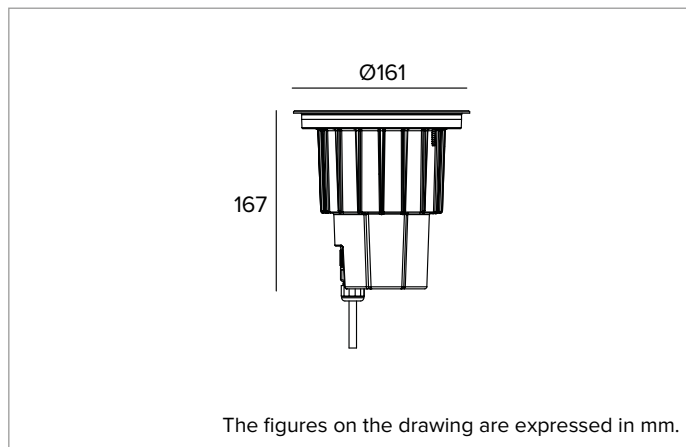


## E015FLR840DAACB | KEPLERO 160 Adjustable

Compact inground adjustable projector equipped with LED sources



	4000K	H(m)	D(m)	E <sub>max</sub> (lx)
	Ra80		40°	
Fixture Power	14W	1	0.73	3137
Source Flux	1946lm	2	1.47	784
Fixture Flux	1517lm	3	2.20	349
Efficacy	111lm/W	4	2.93	196
TS823	I <sub>max</sub> =1624cd/klm	I <sub>max</sub>	3160cd	5
			3.67	125



### SOURCE

High efficiency Chip on Board LED Ra80. 3500K colour temperature available on request.

**Energy efficiency class:** D

**Nominal power:** 12W

**Nominal flux:** 1946lm

**Colour rendering index:** 80

**Rf:** 82

**Rg:** 95

**CCT nominal:** 4000K

**Lifetime (L80/B10):** >50000h tq +25°C

### ILLUMINOTECHNICAL CHARACTERISTICS

Reflector optical system with a high efficiency reflector available with three different beam openings. Aiming using a tilting system up to 20° on the vertical axis and 360° on the horizontal plane with a friction aim locking system.

**Optic:** REFLECTOR

**Beam angles:** FL

**Optical efficiency:** 78%

**Fixture flux:** 1517lm

**Luminous efficacy:** 111lm/W

**Photobiological safety:** Compliant with RG1 low risk group

### MECHANICAL CHARACTERISTICS

Die-cast aluminium body with 3 layers of protection: anodised, cataphoresis and black paint. Brushed stainless steel (AISI 316) ultra flat decorative ring with bevelled edge (copper bronze finish). Version with anti-slip protective glass for public pedestrian areas. Anti theft stainless steel A4 Torx screws.

**Colour and finish:** Copper bronze

**Weight:** 1.15Kg

**Version:** ANTI-SLIP GLASS

**Degree of protection:** IP66,IP67,IP68,IP69

**Mechanical Resistance:** IK10

### ELECTRICAL CHARACTERISTICS

110-240Vac power supply with an integrated DALI driver. Connection to the mains via IP68 watertight connectors for H07RN8-F cable (max 2x2.5mm<sup>2</sup>).

**Fixture Power:** 14W

**Power supply:** 110-240V 50/60Hz

**Insulation Class:** CLASS 2

**Type of driver / Control:** DALI

**Driver included:** YES

**Class F:** YES

**SAFE FLICKER:** PstLM=<1 and SVM=<0.4 (IEC TR 61547-1 and IEC TR 63158), to ensure a more comfortable and safe light

**Ambient temperature:** -25°C / +35°C

### INSTALLATION

Nylon installation sleeve to be ordered separately as an accessory. The sleeve is pre-set for both flush or straight edge installation. 20kN resistance to static load.

### NOTES

All light fixtures must be completed with an installation sleeve. IP68: the fixture is not suitable for permanent underwater installation but can withstand temporary accidental immersion to a depth of 2 metres (max.24h). IP69: IEC/EN 60529 standard compliant. All versions of the KEPLERO family meet all the requirements of EN 60598-2-13 standard regarding drive-over and walk-over performances. Low temperatures on the glass make them suitable even for installation in "special areas", such as spaces for children. Uses the "Waterblock Smart" technical solution that involves resin coating the connection cables, limiting the risk of humidity reaching the driver or the fixture. 110-277Vac version available on request. Commissioning of the control system via free APP; the intervention of a specialist technician can be quoted on request.

### WARNING

Luminaire designed for disposal/recycling at end-of-life. Replaceable (LED only) light source by a professional. Replaceable control gear by a professional.

*Due to the technological evolution of the electronic components, the data provided may be updated, and as such, confirmation must be requested during the order process.*

*Luminous flux and power supply have +/-10% tolerances with respect to the indicated value. tq +25°C (CIE 121).*

*We reserve the right to make technical changes.*

Targetti Sankey S.r.l.  
Via Pratese, 164  
50145 Firenze - Italy  
Tel: +39 055 37911  
targetti.com  
targetti@targetti.com

CCIAA Firenze  
Share Capital:  
€ 500.000,00  
VAT N. (IT):  
01537660480  
R.E.A: FI-275656

**TARGETTI**

**E015FLR840DAACB | KEPLERO 160 Adjustable**  
 Compact inground adjustable projector equipped with LED sources

**Related codes**

**Sleeve**



Ø mm	H mm	Code
166	200	<b>1E2521</b>

Installation sleeve.  
 Grey Nylon casing.  
 For flush and semi-flush installation.

**Accessories**

**Filter**



Ø mm	Code
70	<b>1T1708</b>

Flat striped glass blade light refractive filter.  
 This makes the beam take on an oval shape and when combined with spotlights, the light blade appears more prominent.  
 To be completed with accessory holder ring A079 (reflector optics only).  
 Cannot be used with VNL optics.

**Grid**



Ø mm	Code
70	<b>1T1711</b>

Anti-glare louver.  
 Black painted metal honeycomb structure.  
 To be completed with accessory holder ring A079 (reflector optics only).  
 Cannot be used with VNL optics.

**Screen**



Colour	Code
●	<b>A079</b>

Black polycarbonate accessory holder ring.

**Shutter**



Colour	Code
●	<b>1E2523</b>

Black half-moon shutter.

**Tool**



Code
<b>1E0388</b>

Sucker tool to raise the glass.



Code
<b>1E2495</b>

Features TORX HEAD, TX 30.

Due to the technological evolution of the electronic components, the data provided may be updated, and as such, confirmation must be requested during the order process.  
 Luminous flux and power supply have +/-10% tolerances with respect to the indicated value. tq +25°C (CIE 121).

We reserve the right to make technical changes.

Targetti Sankey S.r.l.  
 Via Pratese, 164  
 50145 Firenze - Italy  
 Tel: +39 055 37911  
 targetti.com  
 targetti@targetti.com

CCIAA Firenze  
 Share Capital:  
 € 500.000,00  
 VAT N. (IT):  
 01537660480  
 R.E.A.: FI-275656



## E015FLR840DAACB | KEPLERO 160 Adjustable

### Compact inground adjustable projector equipped with LED sources

#### Tool



Code

**1E2524**

Metal handle for fixture removal

#### Connector



Code

**1E2769**

Linear connection box IP66/IP68.  
5 poles max. wire section 1.5mm<sup>2</sup>.  
Cable diameter range from 7 to 12mm.

#### Control systems



Code

**1E3048**

IP67 wireless control unit with DALI interface.  
It generates a local DALI2 bus, enabling a direct connection to a DALI interface LED driver.

The module can only be used in a closed system and cannot be connected to an existing DALI network.

The module is wireless controlled using a Casambi app for smartphones and tablets using Bluetooth 5.0 technology.

The devices automatically create an adaptive, robust, and reliable wireless mesh network, allowing for the easy and efficient management of a high number of fixtures. The control unit is preset to the DALI 1CH profile, meaning the device can control a single DALI driver with broadcast commands.

In addition to the DALI broadcast, other operating modes are available, such as:

- Button (normally open)
- Control unit 0/1-10V
- Control unit DALI Tunable White DT8
- Presence sensor



Code

**1E4369**

IP67 Extender for wireless control of LED driver with dimming DALI interface based on Casambi technology.

It has a DALI2 output with the capacity to control up to 40 lighting fixtures. With the addition of a further external BUS DALI power supply it is possible to control up to 64 fixtures.

IP67 Extender is preset to the DALI broadcast profile, meaning all the luminaires connected to it are dimmable at the same level.

In addition to the DALI broadcast other operating modes are available, such as:

- EXTENDER DALI 8CH
- EXTENDER DALI Tunable White
- EXTENDER DALI 4CH
- EXTENDER DALI DT8 Tunable White

Due to the technological evolution of the electronic components, the data provided may be updated, and as such, confirmation must be requested during the order process.

Luminous flux and power supply have +/-10% tolerances with respect to the indicated value. tq +25°C (CIE 121).

We reserve the right to make technical changes.

Targetti Sankey S.r.l.  
Via Pratese, 164  
50145 Firenze - Italy  
Tel: +39 055 37911  
targetti.com  
targetti@targetti.com

CCIAA Firenze  
Share Capital:  
€ 500.000,00  
VAT N. (IT):  
01537660480  
R.E.A.: FI-275656

**TARGETTI**

## E015FLR840DAACB | KEPLERO 160 Adjustable

Compact inground adjustable projector equipped with LED sources

### Surge protector



Code

**A013D**

Surge protector compatible with CLASS II lighting fixtures.

DALI, DMX, 0-10V datalines compliance.

Operating voltage 230-277Vac.

SPD type 2+3.

Max surge protection 10kV.

CLASS II

IP65

*Due to the technological evolution of the electronic components, the data provided may be updated, and as such, confirmation must be requested during the order process.*

*Luminous flux and power supply have +/-10% tolerances with respect to the indicated value. tq +25°C (CIE 121).*

*We reserve the right to make technical changes.*

Targetti Sankey S.r.l.  
Via Pratese, 164  
50145 Firenze - Italy  
Tel: +39 055 37911  
targetti.com  
targetti@targetti.com

CCIAA Firenze  
Share Capital:  
€ 500.000,00  
VAT N. (IT):  
01537660480  
R.E.A: FI-275656

**TARGETTI**